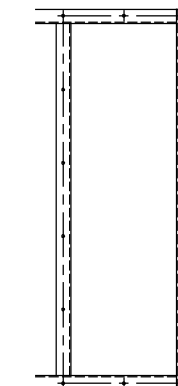
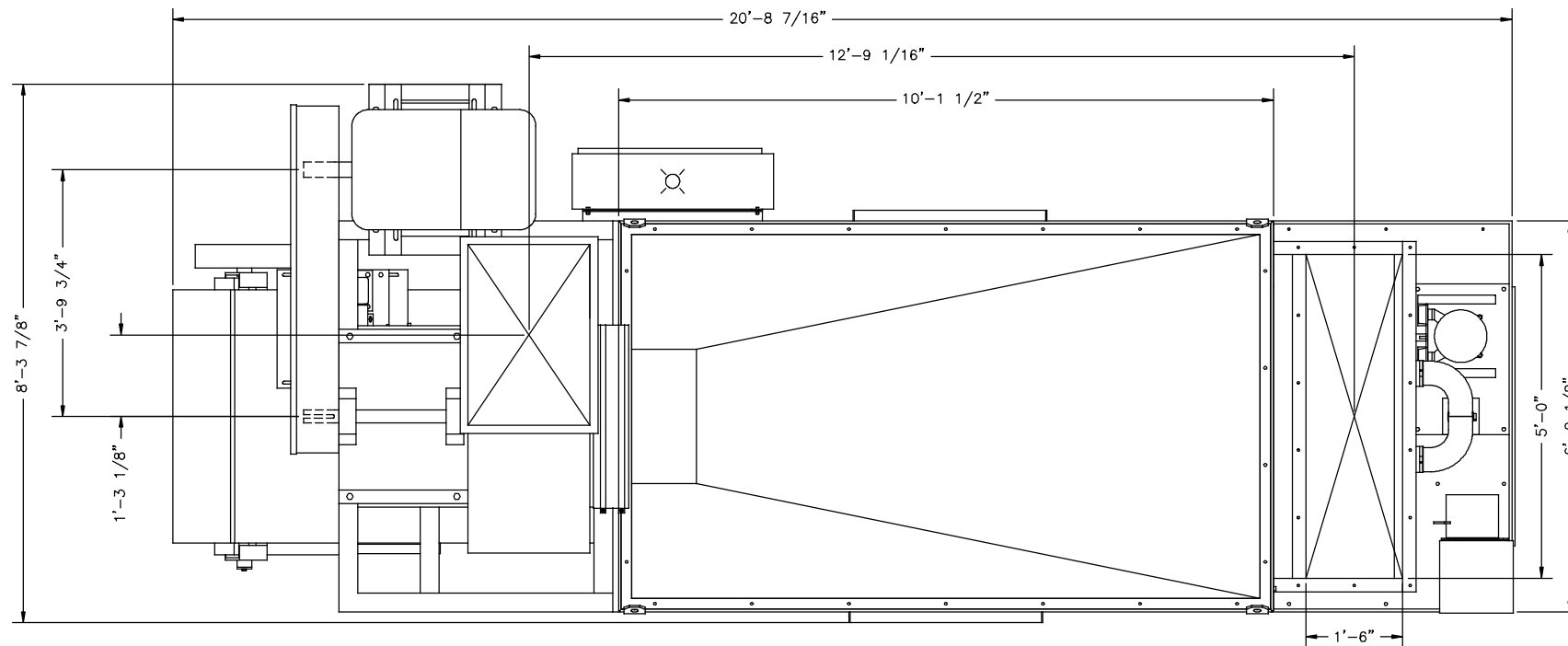
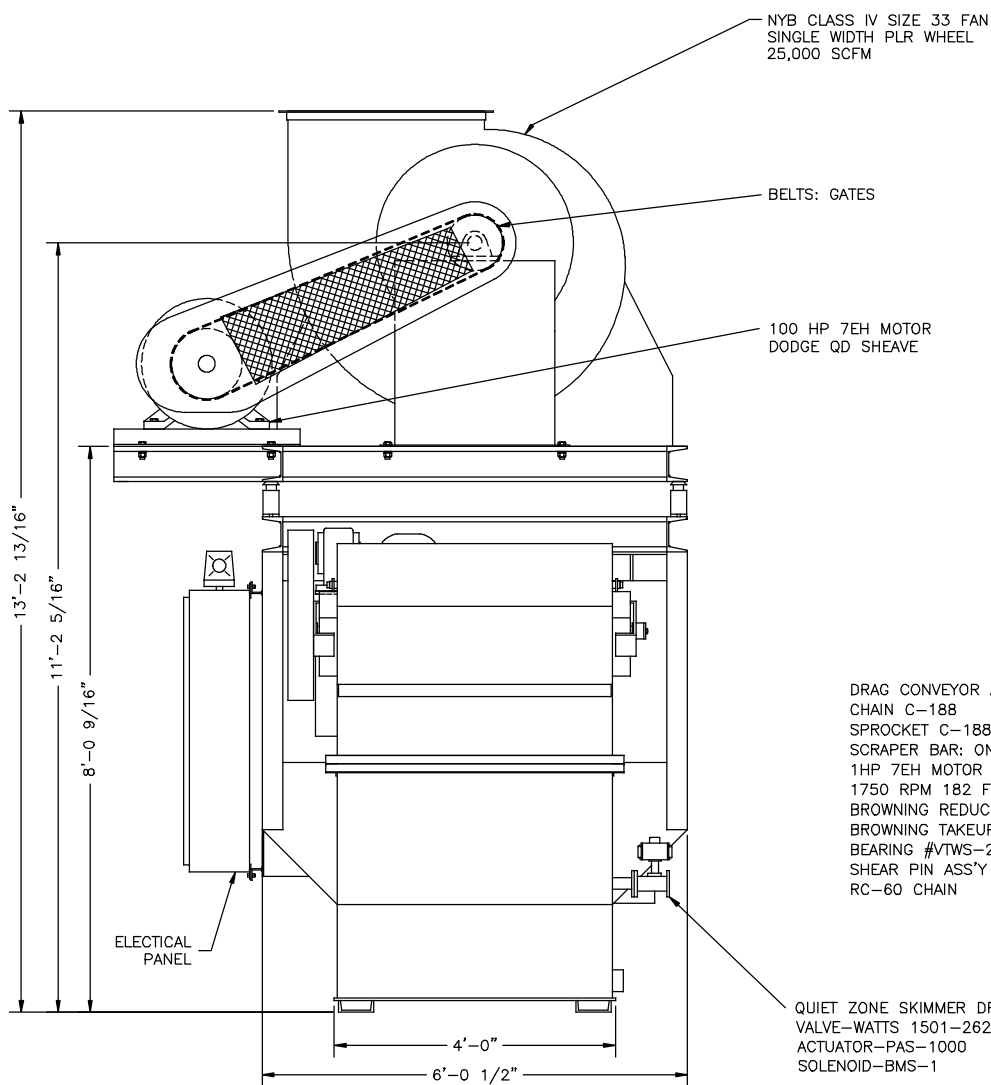


OUTLET FLANGE



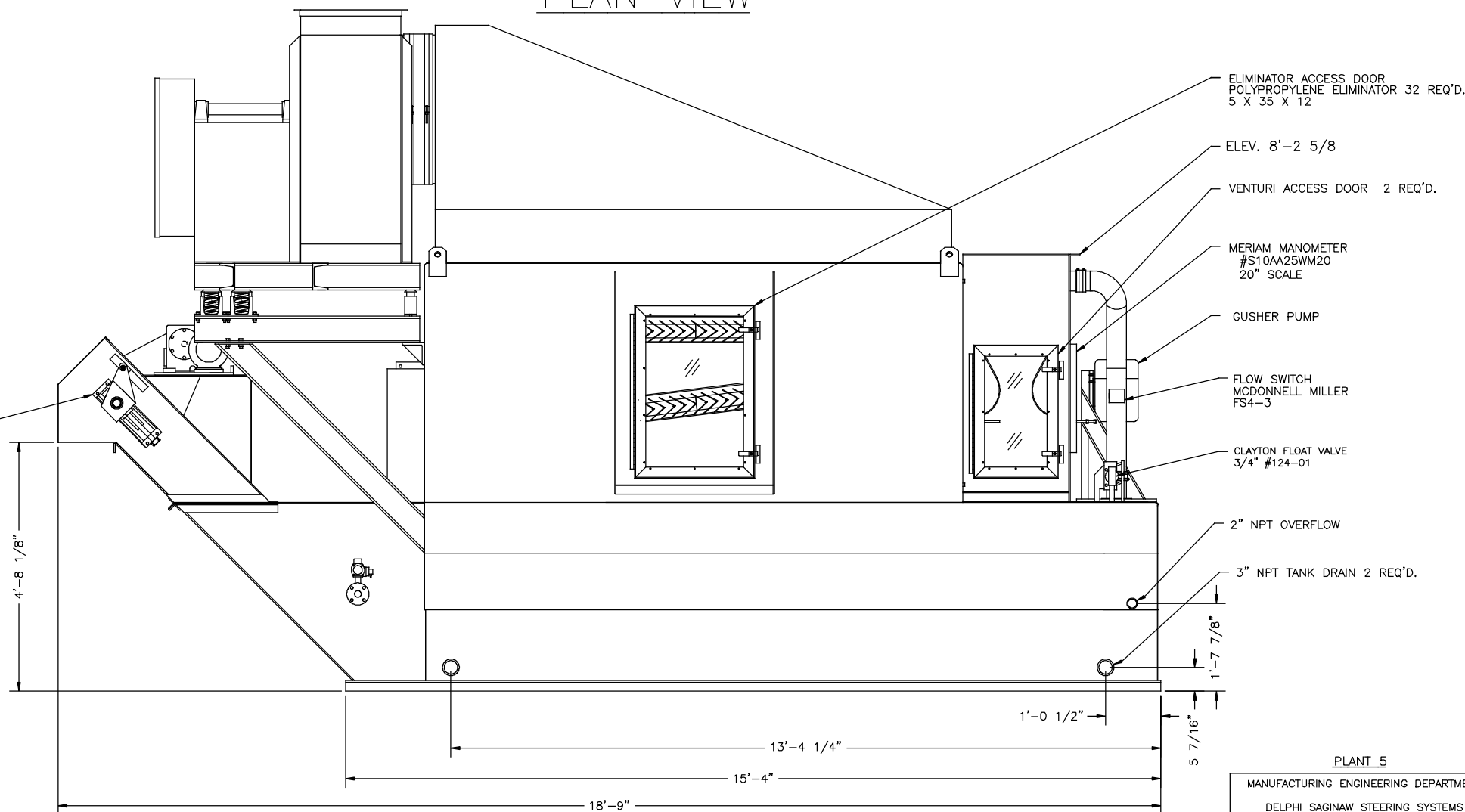
INLET FLANGE

PLAN VIEW



DRAG CONVEYOR ASS'Y.
CHAIN C-188
SPROCKET C-188 8 TOOTH 6 REQ'D.
SCRAPER BAR: ONE EVERY TWO FEET
1HP 7EH MOTOR
1750 RPM 182 FRAME
BROWNING REDUCER #300DLR-1200E
BROWNING TAKEUP #9FS31
BEARING #VTWS-228
SHEAR PIN ASS'Y
RC-60 CHAIN

QUIET ZONE SKIMMER DRAIN
VALVE-WATTS 1501-262, 1 1/2" DIA.
ACTUATOR-PAS-1000
SOLENOID-BMS-1



EAGLE ENGINEERING JOB NO. ES-	
GEN. ARR.	DWG. NO. 25K-01
ELEC. ELEMENTARY	DWG. NO. 25K-02
ELEC. ENCLOSURE	DWG. NO. 25K-03

DRAWING PREFIX	DRAWN BY C.P.G.	SERIAL NO.
E-ELECTRICAL	DESIGN BY	P.O. NO.
P-PNEUMATIC AND	DATE 09/20/00	REF. DWG.
GENERAL PIPING	DESIGN APPROVED BY	SHEET NO.
M-MACHINE	CHECKED BY	NO. OF SHEETS
H-HYDRAULIC	DATE	
L-LUBRICATION		

1	1
---	---

PLANT 5	
MANUFACTURING ENGINEERING DEPARTMENT	
DELPHI SAGINAW STEERING SYSTEMS	
SAGINAW, MICHIGAN, U.S.A.	
25,000 CFM AIR SCRUBBER	
WITH DRAG CONVEYOR	
GENERAL ARRANGEMENT	
PREFIX-DRAWING NUMBER	
25K-01	